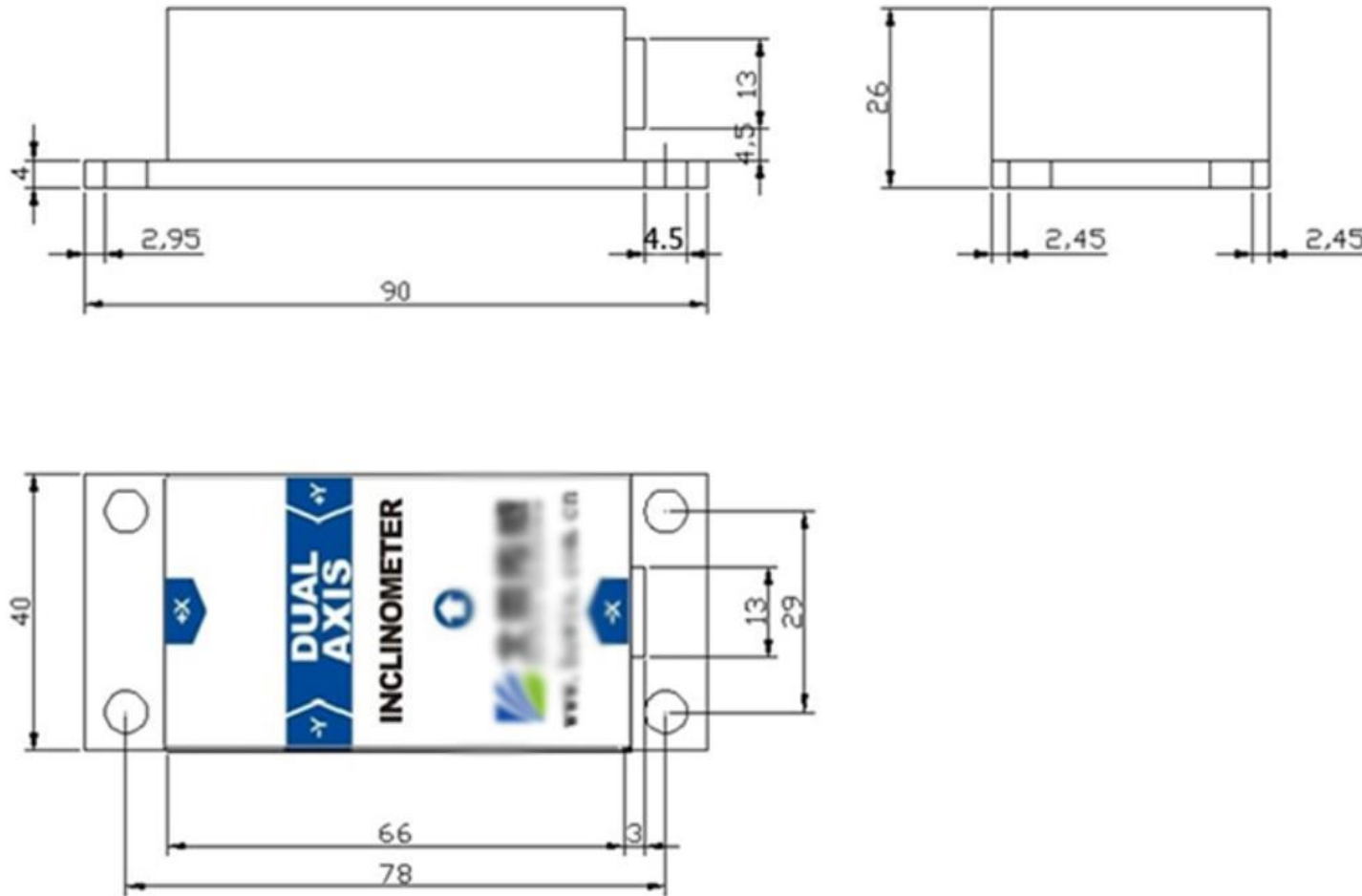


DESENHOS 2D

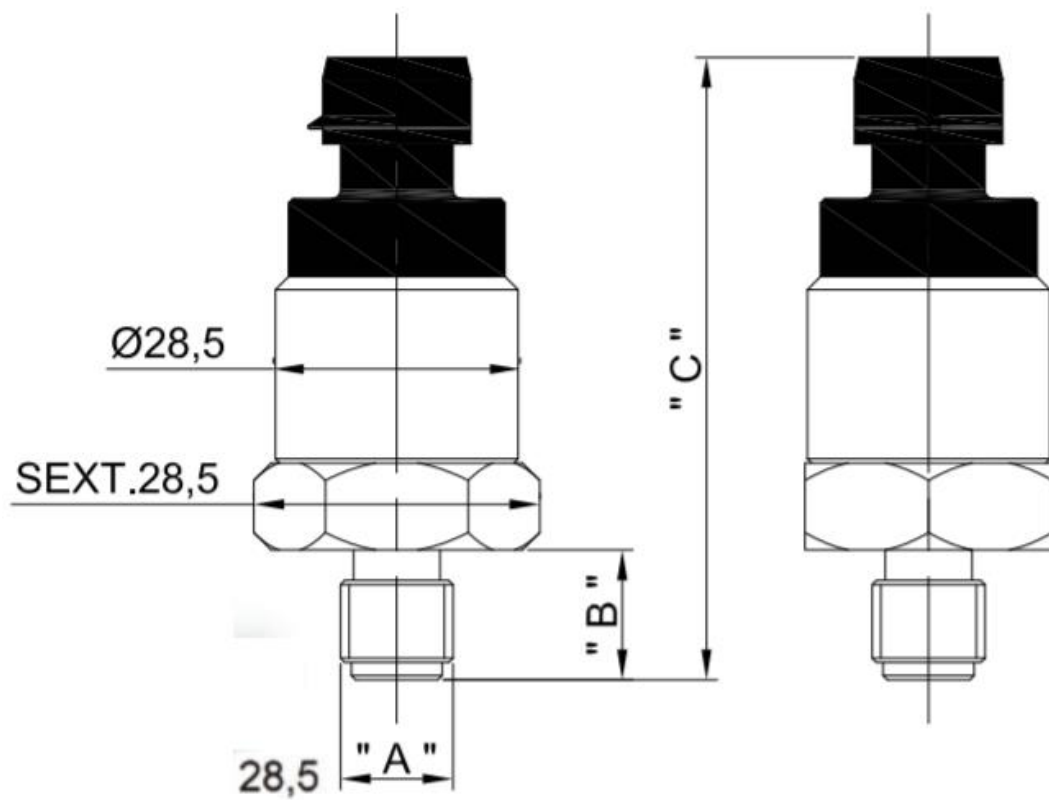
BWM417 Sensor de Ângulo de Inclinação Única



Size: L90mm×W40mm×H26mm

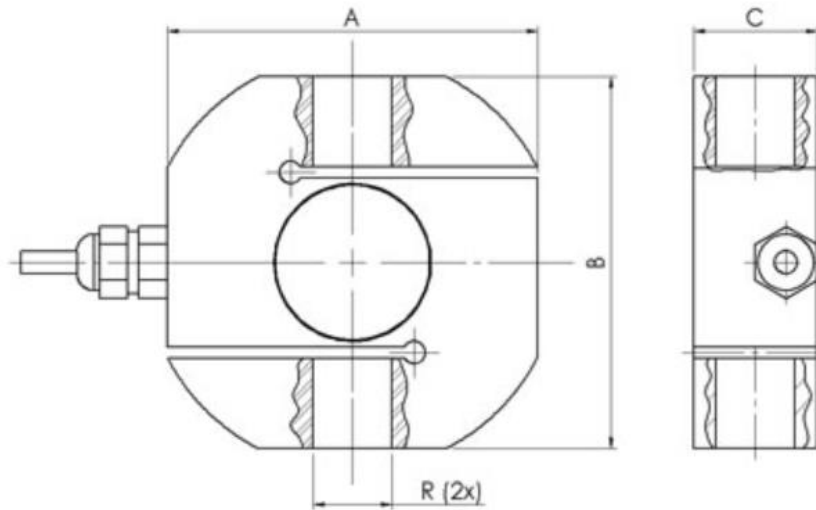
(BWM417, 2021)

Transmissor de Pressão Packard IP67 - VKP-026



(VELKI, 2021)

CÉLULA DE CARGA: MK CSR-10000



Modelo	Capacidade (kg)	A	B	C	R
CSR-250	250	54	54	19	M12x1,75
CSR-500	500	54	54	19	M12x1,75
CSR-1000	1000	66	66	22	M16x2,00
CSR-2000	2000	66	66	22	M16x2,00
CSR-5000	5000	90	90	34	M20x2,50
CSR-10000	10000	98	98	50	M30x3,50

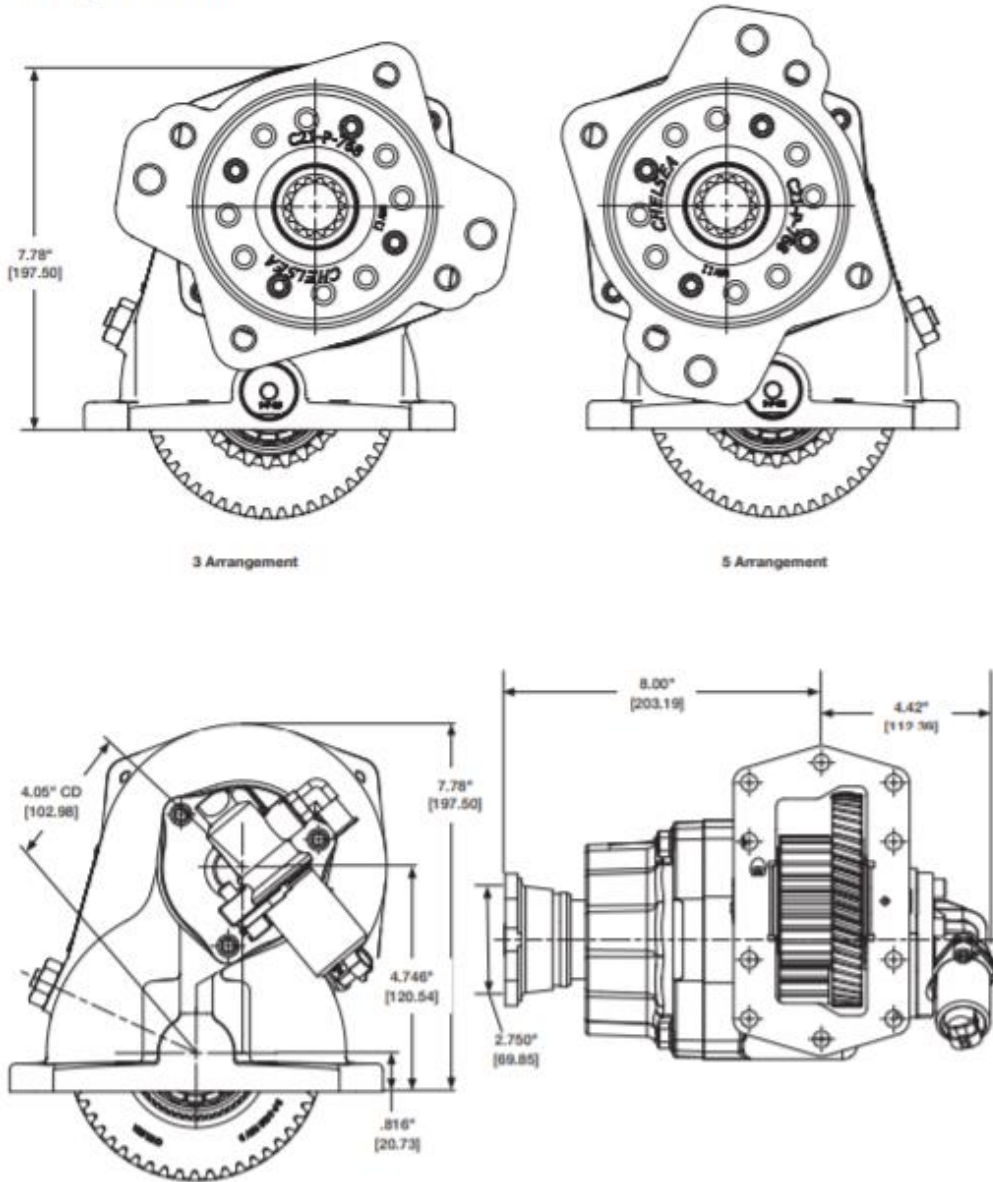
(CÉLULA., 2021)

Tomada de Força Parker 870

Bulletin HY25-2870-M1/US
Assembly Arrangements

Parts List
870 Series

Housing Dimensions



Bomba Hidráulica - EATON

45VQ Series

Dimensions in millimeters (inches)

PORT CONNECTION PADS ARE FOR USE WITH 4-BOLT FLANGES. SEE PAGE 121 FOR SELECTION.

